

Biometric Tripod Turnstile



TS2000 Tripod Turnstile

TS2011 Tripod Turnstile with Controller and RFID Reader

TS2022 Tripod Turnstile with Controller and Fingerprint & RFID Reader

Tripod turnstiles are compact and cost-effective entrance solutions. Designing for smooth and silent operation, reducing power consumption, wear and tear. It is suitable for areas with a high traffic.

The TS2000 series offer a well-designed, two-legged casework made of stainless steel, ideal for sites where a high traffic and robustness are issued.

By receiving a signal from the access control system, or pushing button, it allows the entry of one person in a time. Entering into different directions are electronically controlled. Default mode is to lock the mechanism until a valid authorization signal is received. If you want to set one side free, you can adjust the mechanism. In case of emergency, the horizontal arm will drop to allow free passage. Led way mode indicators are included as standard.

Features



Reliability

- Alloy steel tripod hub prevents mechanical wear
- Casework and tripod arms manufactured in SUS304 stainless steel
- Electromagnets for lock are used only when being activated. They are in standby mode when the device is idle.
- ZK patented compact mechanism ensures
- High quality electrical components



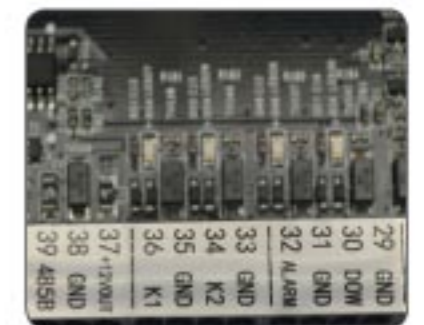
Safety and User-Orientated Design

- Drop arm designed for emergency purpose
- No exposed screws, safer for the user.
- Smooth operation designed for mass transit application
- The pictogram on the device indicating access permission and direction of movement
- Special designed case shape, user-friendly for passenger to punch card or finger.
- Anti-tailgate



Easy Integration

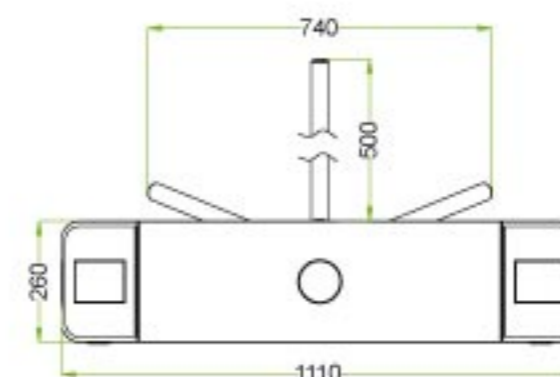
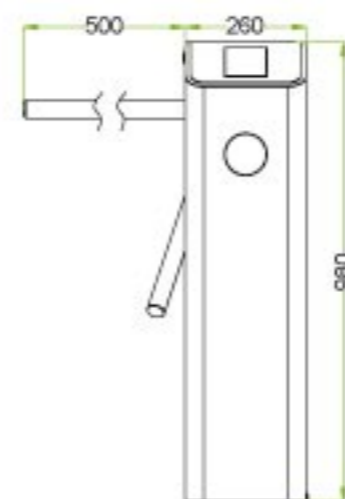
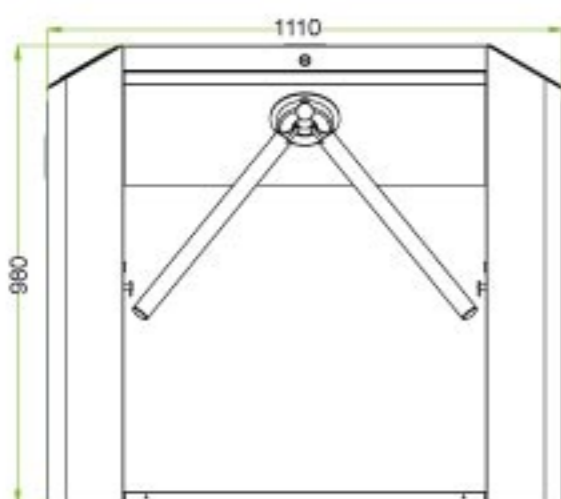
- Flexible reader installation plate. Customers can easily integrate with third party reader
- Standard electrical interface for third party device.
- Using compact mechanism, the turnstile has more space inside for integration
- ZKTeco provides integration service in factory, with board and peripherals installed, ensuring compliance of the system. When the turnstile is delivered, just plug it in and do the setting. Save the cost of installation.
- The design of being vacuum at the bottom part of the device, enables easy installation for other hardwares.



Specifications

Power Supply	AC 220V/110V, 50/60Hz
Operating Temperature	-28 °C- 60 °C
Operating Humidity	5%-85%
Working Environment	Indoor/Outdoor(shelter)
Rated Power	60W
Flow Rate	25- 48 passage/minute
Ingress Protection	IP54
Casework Material	SUS304
Pictogram Indication	Yes
Control System	Input controlled by dry contact
Emergency Button Input	Yes
Dimension	111×98×26(CM) + arm length 50CM
Package Dimension	120×108×38(CM)
Net Weight	46KG
Gross Weight with Package	54KG
Optional Function	Alternative material or shape, third-party access control integration, ticket system integration, passage counter

Dimensions (mm)



ZKTeco Inc.
 ZK Mansion, Wuhe Rd, Gangtou, Bantian, Buji Town,
 Longgang District, Shenzhen China 518129
 Tel: 86-755-8960 2345/46/47/48
 E-mail: sales@zkteco.com
 www.zkteco.com

Global Offices:
 USA: +1 732-412-6007
 EU: +34 916532891
 Brazil: +55 31 2515-8326
 Thailand: +66-027199154
 Mexico: +52-55-52928418

South Africa: +27 12 259 1047
 Egypt: +201110444134
 Dubai: +971 4 6091 310
 India: +91 8123536788
 Indonesia: +62 21 2921 8949

Vietnam : +84-0169-5813007
 Philippines: +63 9084118832
 Russia: +8 915 178-46-81